

Assembly Instructions

Model:	ZG1400E
Description:	One Key System (Rotor Kit)
Part Number:	99994-0499/0528

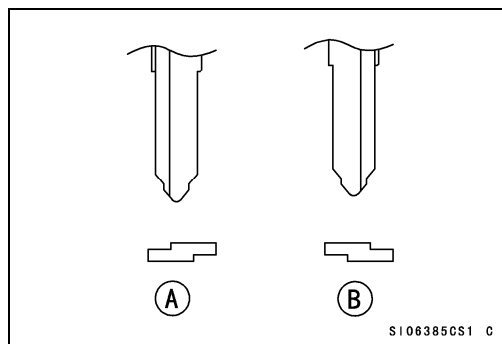
Before you begin, read through these instructions and check that all parts are present. Please note that Kawasaki cannot assume any responsibility for damage resulting from incorrect installation.

Kawasaki recommends that all genuine accessories should be fitted by an authorized Kawasaki dealer.

The following symbol indicates the information for proper installation and operation in this instruction.

NOTE : NOTE indicates information that may help or guide you in the operation or service of the vehicle.

- The ZG1400E has two types of key.
- Check the type of key.
 - [A] Type A
 - [B] Type B

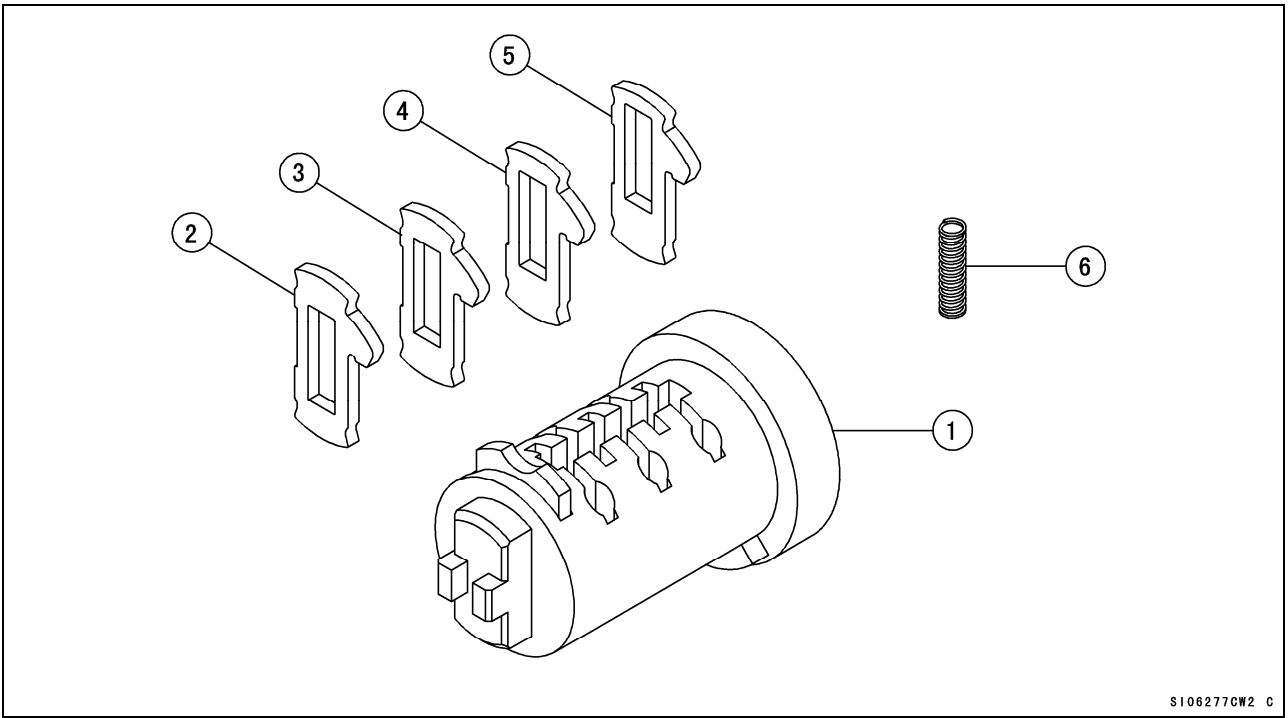


Type A (99994-0499)

Parts List				
No.	Component Name	Part No.	Qty	Remark
1	Rotor	21007-0616	1	
2	Tumbler #1	13272-1536	5	
3	Tumbler #2	13272-1537	5	
4	Tumbler #3	13272-1538	5	
5	Tumbler #4	13272-1539	5	
6	Spring	92145-0979	10	

Type B (99994-0528)

Parts List				
No.	Component Name	Part No.	Qty	Remark
1	Rotor	21007-0587	1	
2	Tumbler #1	13272-1536	5	
3	Tumbler #2	13272-1537	5	
4	Tumbler #3	13272-1538	5	
5	Tumbler #4	13272-1539	5	
6	Spring	92145-0979	10	

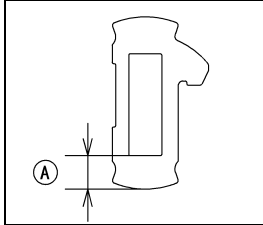


S106277CW2 C

Installation Instructions

Assembly Procedure

- This kit is to be used with the optional top case.
- Using a combination of tumblers in this kit allows the lock rotor to be assembled to fit the existing key.
- The four kinds of tumblers are a different length [A] to each other as shown.



Tumbler #1: 2.5 mm (0.098 in.)

Tumbler #2: 3.0 mm (0.12 in.)

Tumbler #3: 3.5 mm (0.14 in.)

Tumbler #4: 4.0 mm (0.16 in.)

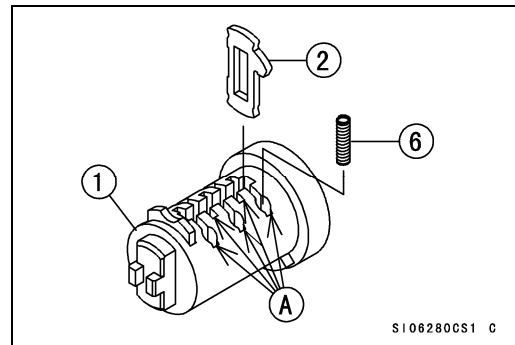
- The tumblers are separated into 4 plastic bags of different colors. Keep them in the bags until needed to prevent them being mixed up.

Step 1

- Install 5 springs [6] and 5 tumblers [2] from one bag to the grooves [A] of the rotor [1]. Press each tumbler into its groove until it fully seats.

NOTE

- *The projection of the tumbler should sit over the spring.*

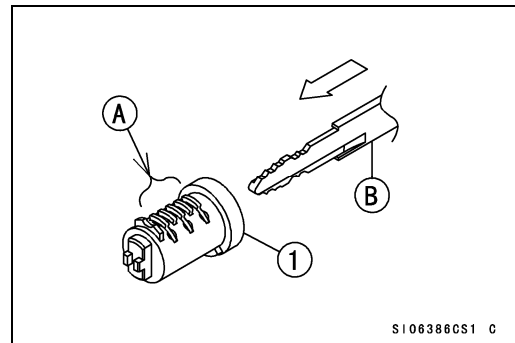


Step 2

- Lightly hold the tumblers [A] in the rotor [1] and insert the key [B].

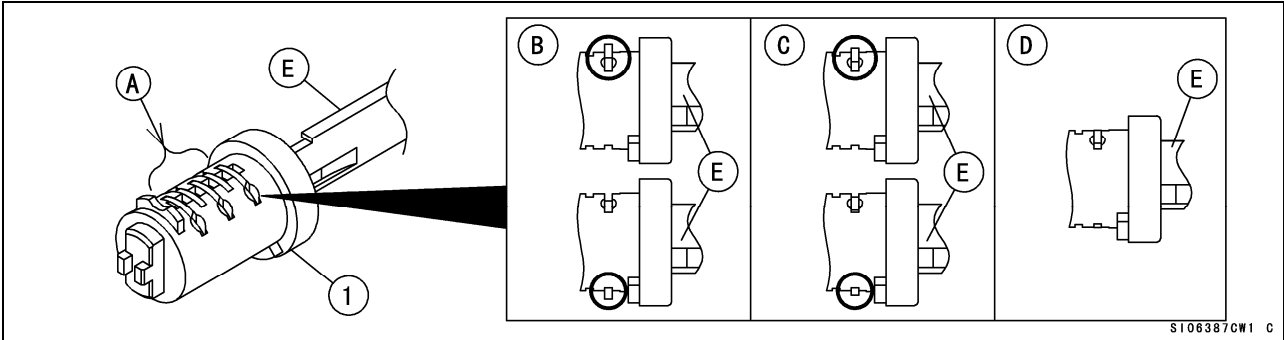
NOTE

- *If the tumblers are not held in place the tumblers or springs may become dislodged.*



Step 3

- If the tumbler [A] is the correct one for the cut in the key it will sit level with the rotor [1] once the key [E] is inserted.
Incorrect: [B] Projecting high (upper or lower of rotor)
Incorrect: [C] Projecting low (upper or lower of rotor)
Correct: [D] Level with the rotor
- If any of the tumblers project out of the rotor, go to “Step 4.”
- If all tumblers sit flush with the rotor it is correct. Go to “Step 5.”



Step 4

- While lightly holding the tumblers in the rotor, remove the key.

NOTE

○ If the tumblers are not held in place the tumblers or springs may become dislodged.

- Replace any projecting tumbler(s) with tumbler(s) from another bag and repeat steps 2, 3, and 4 again until all tumblers are level with the rotor.

Step 5

- Remove the knob [A] from the top case.

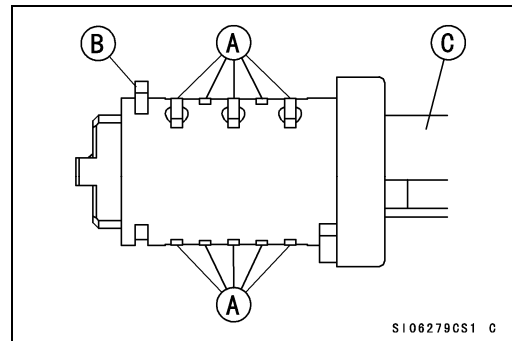


Step 6

- Insert the key again as described in “Step 2” and make sure that all the tumblers [A] are level with the rotor. The stopper tumbler [B] should be projecting as shown. [C] Key

NOTE

○ Do not attempt to install the rotor into the top case if the tumblers are not level. If the tumblers are not level the lock may become stuck when fitted to the case.



Step 7

- Install the rotor [1] to the top case [A]. Align the stopper tumbler [B] at the 6 o'clock position (towards the rear of the top case). While gently pushing turn the key clockwise through position [C].
- When the key reaches the 10 o'clock position the rotor will slide down into the housing.
- Carefully press the rotor down and turn the key counterclockwise to seat the lock rotor projection [D] to the bottom groove [E]. You will hear a click when it is fully seated.
- Turn the key to the 12 o'clock position and remove it.
- After installing the rotor, make sure that the lock operates correctly and when removing the key the rotor is secure in the top case.

