

Assembly Instructions

| | |
|---------------------|--------------------|
| Model: | KLE250C, KLE300B/C |
| Description: | Center Stand |
| Part Number: | 99994-0995 |
| Flat Rate Time(Hr): | 0.2 |

Before you begin, read through these instructions and check that all parts are present. Please note that Kawasaki cannot assume any responsibility for damage resulting from incorrect installation.

Kawasaki recommends that all genuine accessories should be fitted by an authorized Kawasaki dealer.

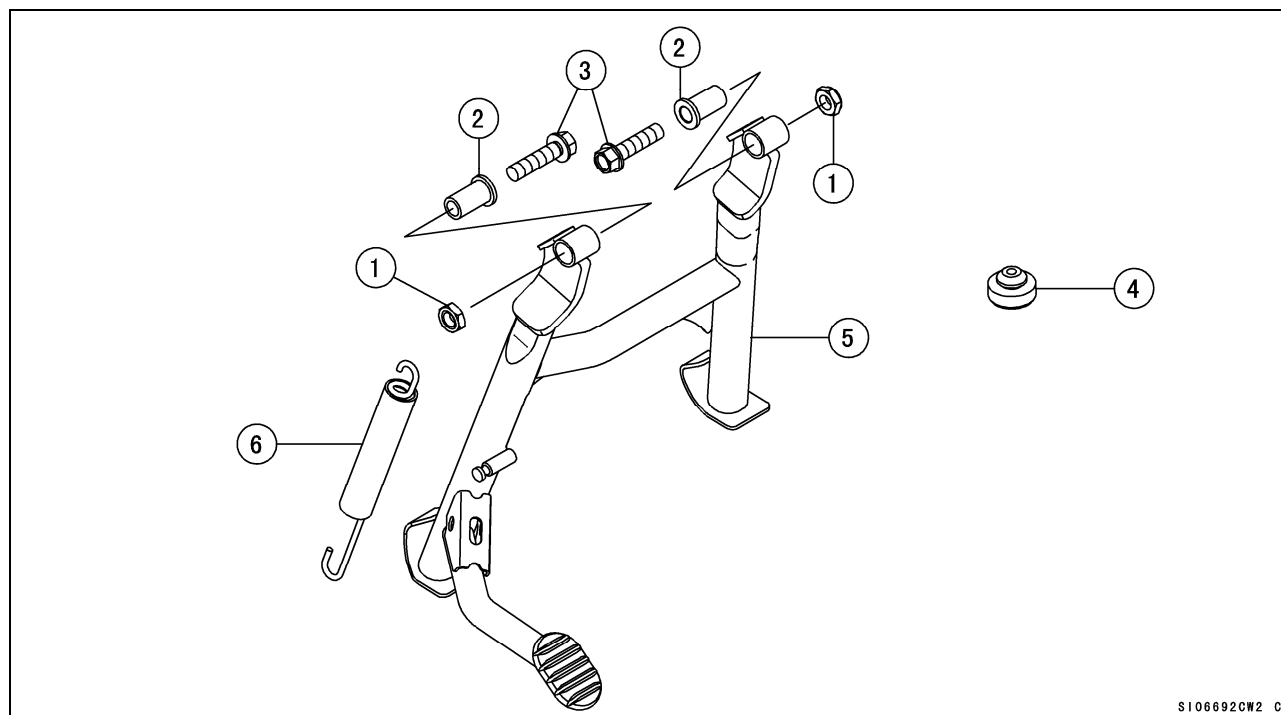
The following symbols indicate the information for proper installation and operation in this instruction.

- Indicates a procedural step or work to be done.
- Indicates a procedural sub-step or how to do the work of the procedural step it follows. It also precedes the text of a NOTE.

(KLE250C) Refer to the Service Manual (P/No.: 99924-1528-01) for detailed procedures.

(KLE300B/C) Refer to the Service Manual (P/No.: 99924-1526-01) for detailed procedures.

| Parts List | | | | |
|------------|----------------|------------|-----|--------|
| No. | Component Name | Part No. | Qty | Remark |
| 1 | Nut | 92210-0784 | 2 | |
| 2 | Collar | 92152-2350 | 2 | |
| 3 | Bolt | 130CB1040 | 2 | |
| 4 | Damper | 92075-1045 | 1 | |
| 5 | Center Stand | 34011-0031 | 1 | |
| 6 | Spring Assy | 39131-0001 | 1 | |



Installation Instructions

- Install the damper [4] to the frame [A].
- Apply grease to the sliding area [B] of the center stand [5].
- Install:
 - Center Stand
 - Collars [2]
 - Bolts [3]
 - Nuts [1]
- Tighten:
 - Torque – Nuts: 44 N·m (4.5 kgf·m, 32 ft·lb)**
- Hook the spring assy [6] so that the long spring end faces downward.
- Install the spring hook direction as shown.

